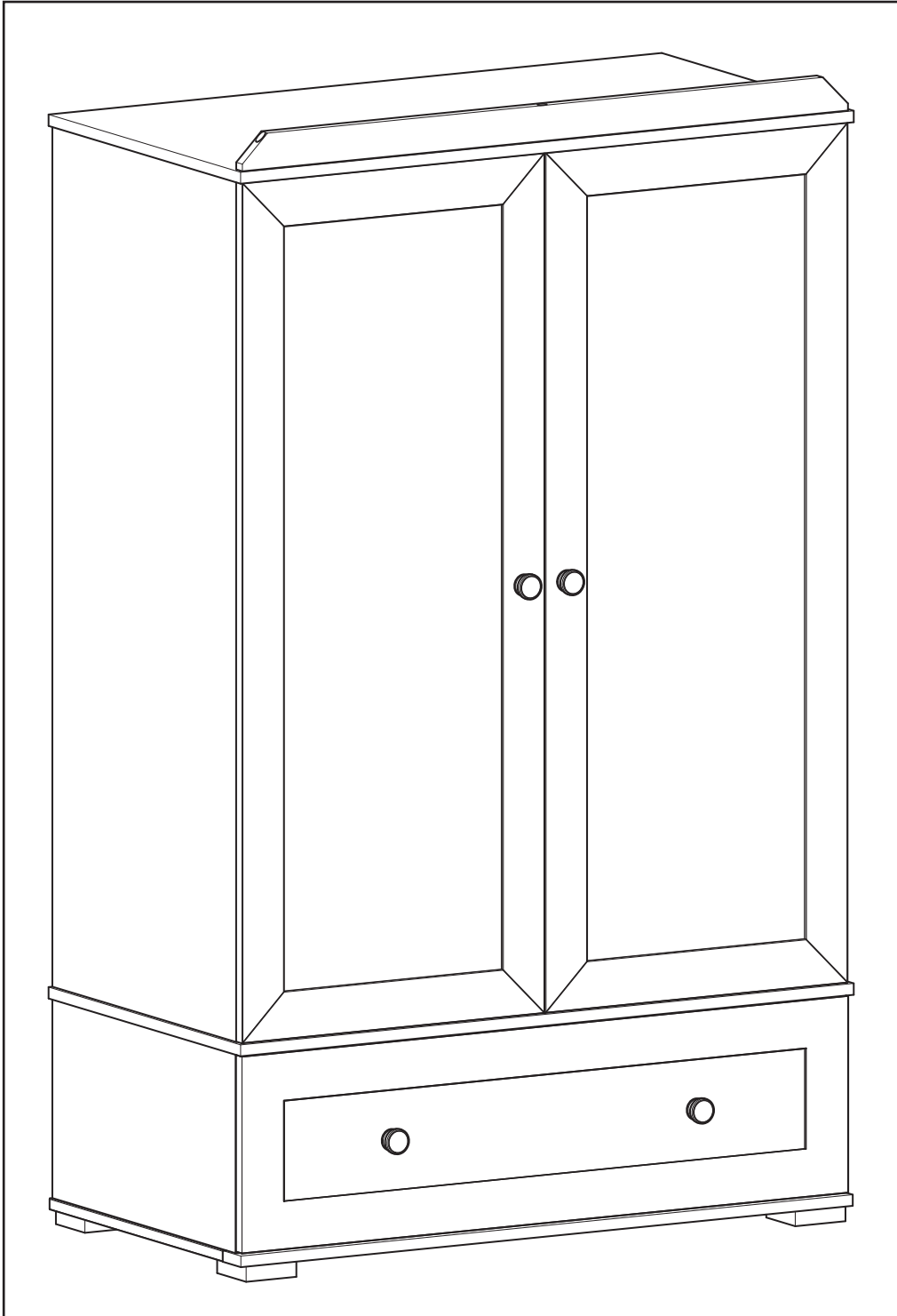


LANGHAM Wardrobe



east
coast

IMPORTANT

RETAIN FOR FUTURE REFERENCE: READ CAREFULLY

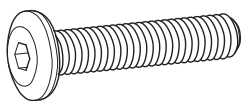
Please read the instructions and warnings carefully before use to ensure safe and satisfactory operation of this product.

Your child's safety is your responsibility. If you have a query with this product or require replacement parts, please contact 01692 408802.

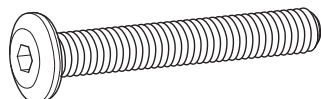
Lay out the parts on a soft level surface and compare to the part/fixing checklist on pages 2 & 3. Do not discard any packaging until you are sure that you have all the parts.

Keep children clear during assembly as pack contains small parts which may present a choking hazard.

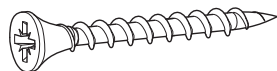
Hardware:



Short Bolt (20mm) x 24



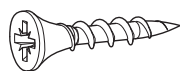
Long Bolt (30mm) x 7



Long Woodscrew (40mm) x 8



Dome Screw (30mm) x 2



Short Woodscrew (25mm) x 4



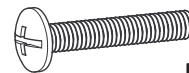
Hinge Screw (12mm) x 16



Panel Screw (12mm) x 46



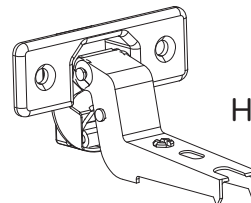
Plastic Dowel Nut x 8



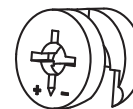
Handle Bolt x 4



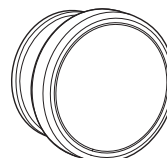
Cam Pin x 12



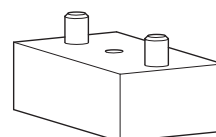
Hinge x 4



Cam Nut x 12



Handle x 4

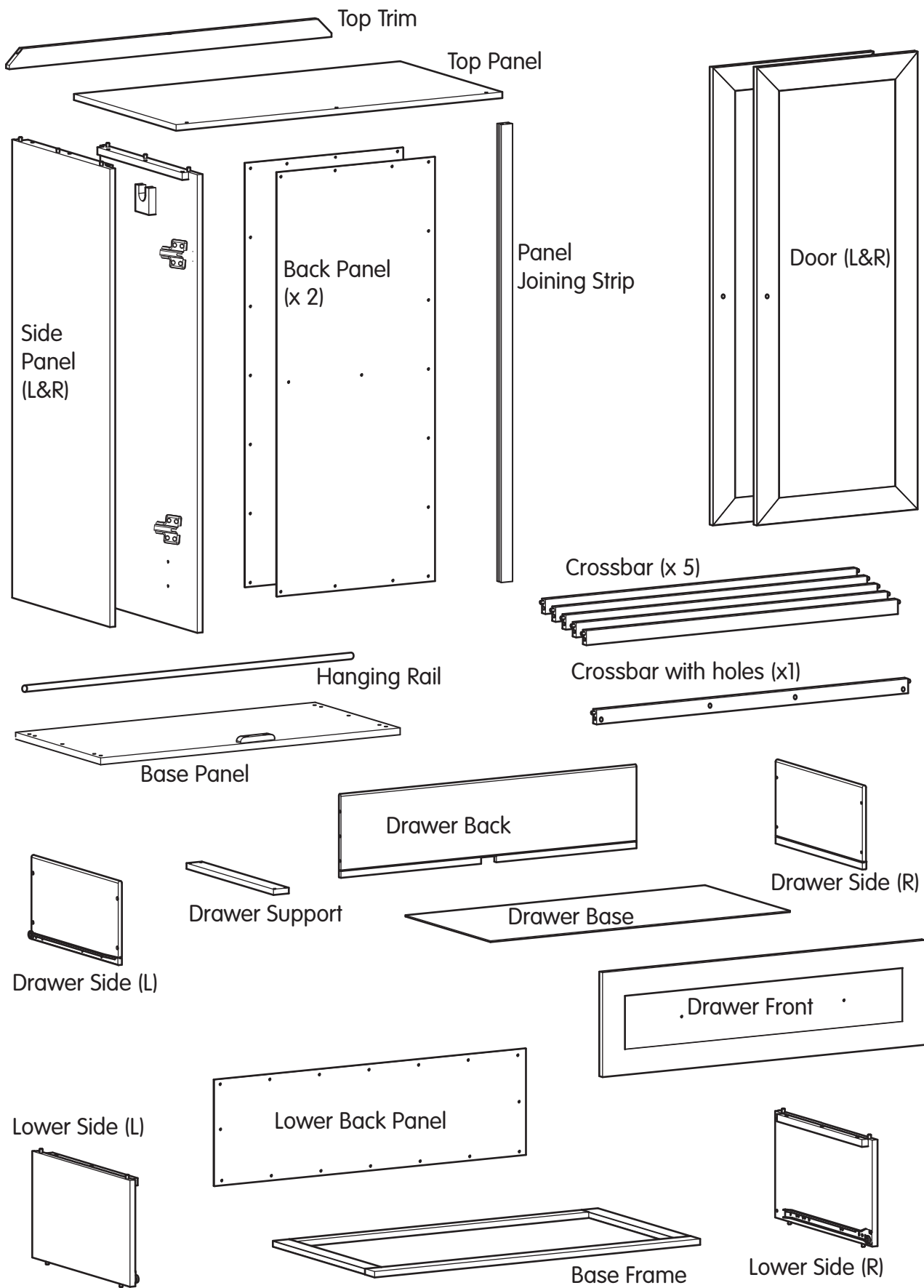


Foot x 4



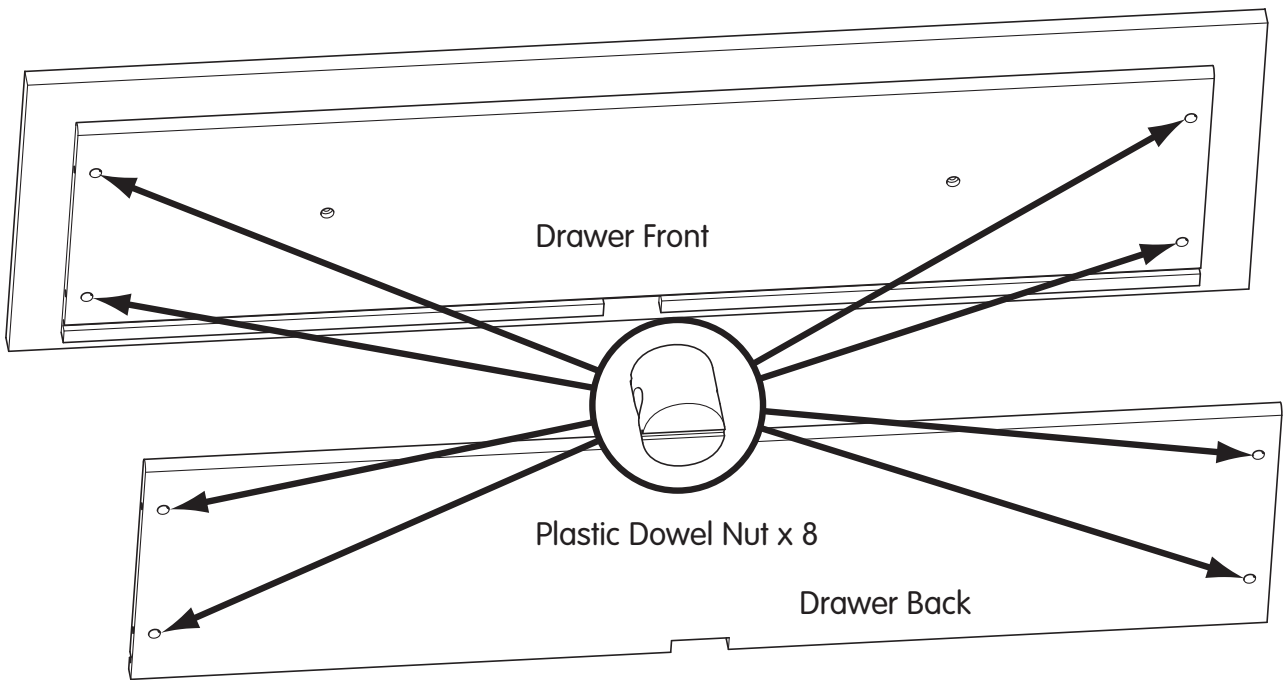
Hexagon Key x 1

Wooden parts:



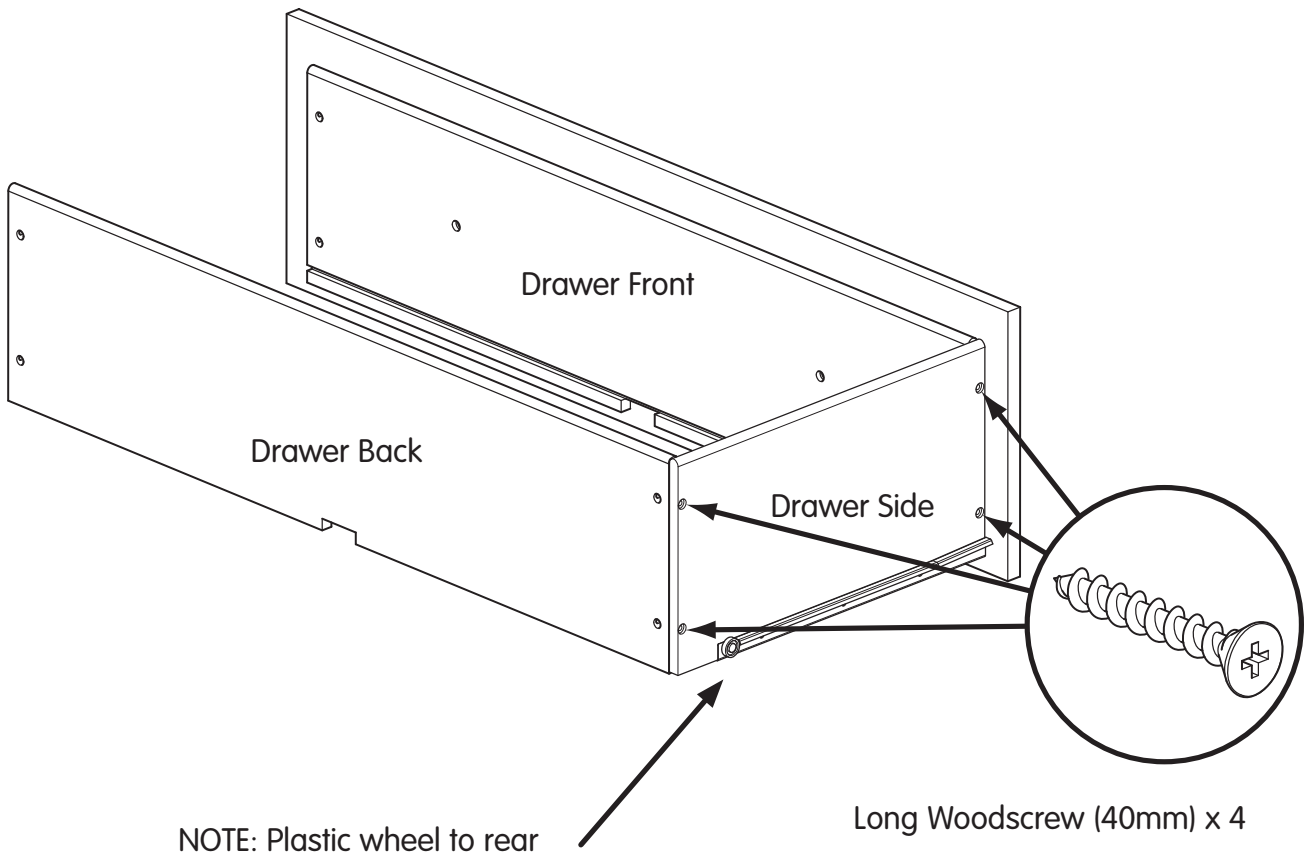
You will need the following tools to complete assembly:
Flat-headed screwdriver and Cross point screwdriver.

Drawer Assembly 1. Fitting the Plastic Dowel Nuts.

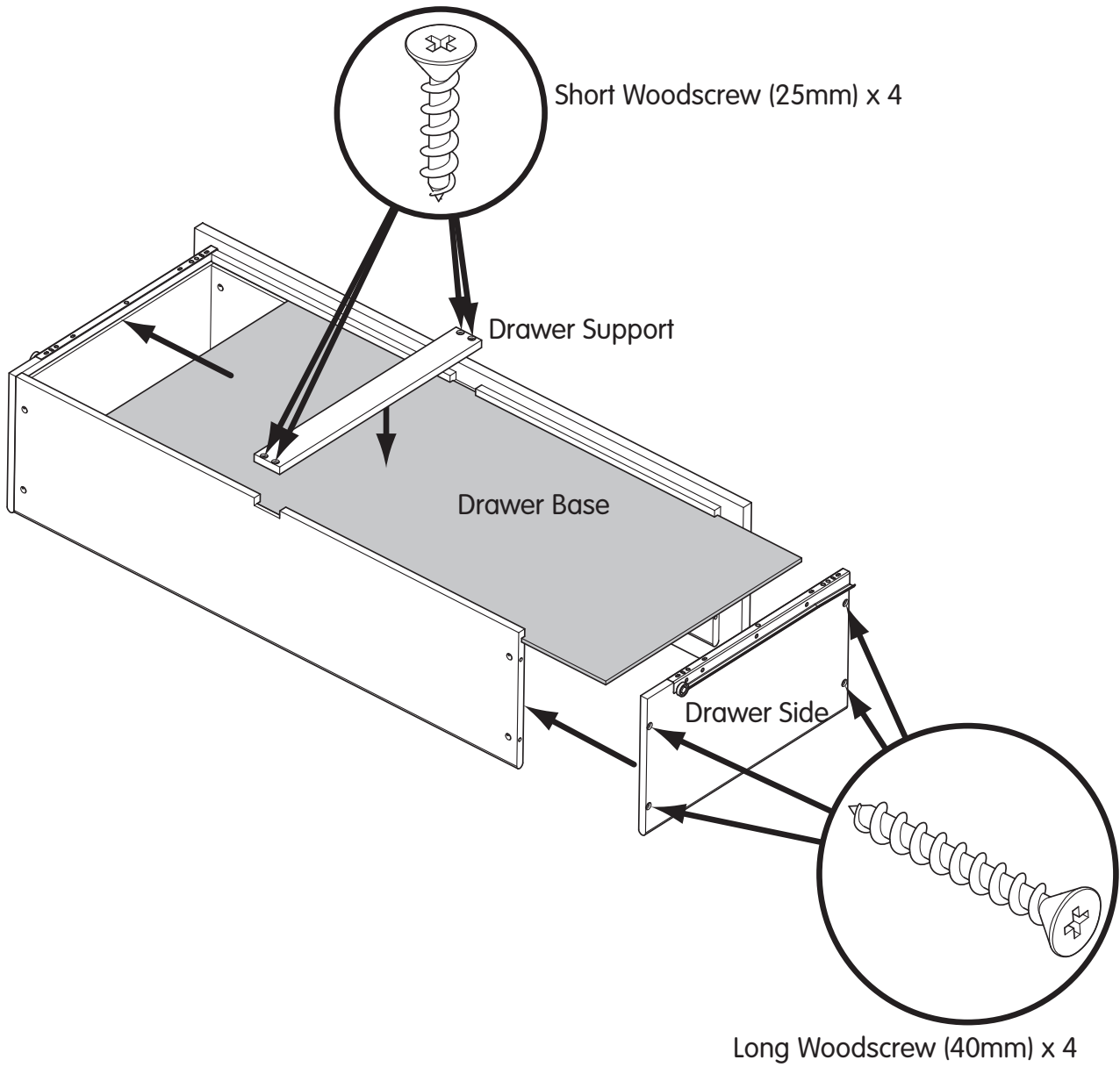


Make sure the slots point toward the holes in the panel's edge.

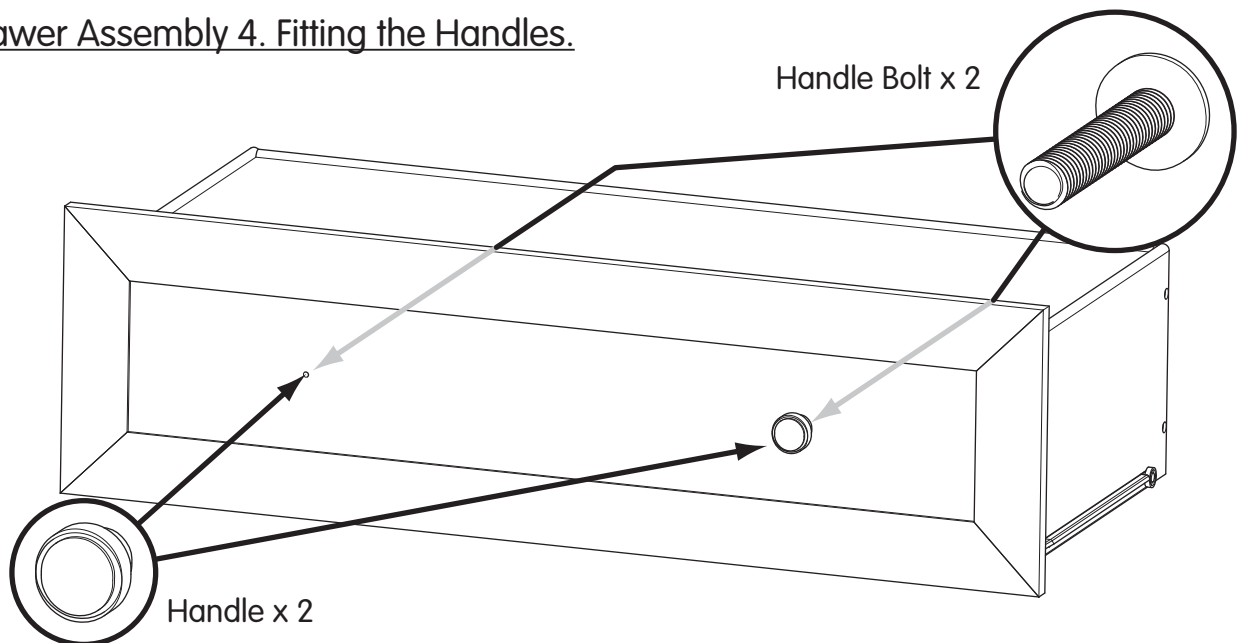
Drawer Assembly 2. Attaching the Side.



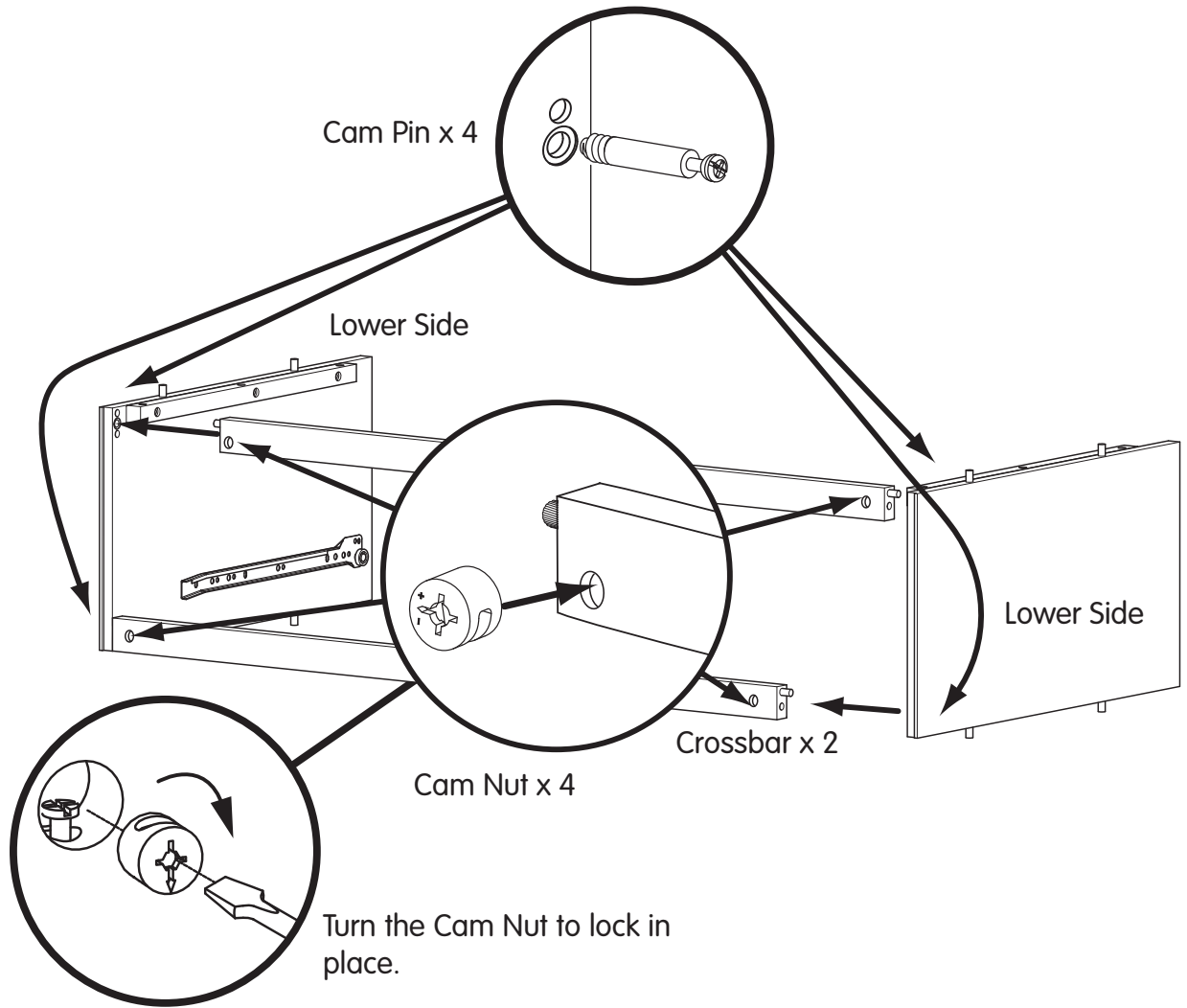
Drawer Assembly 3. Attaching the Support & Side.



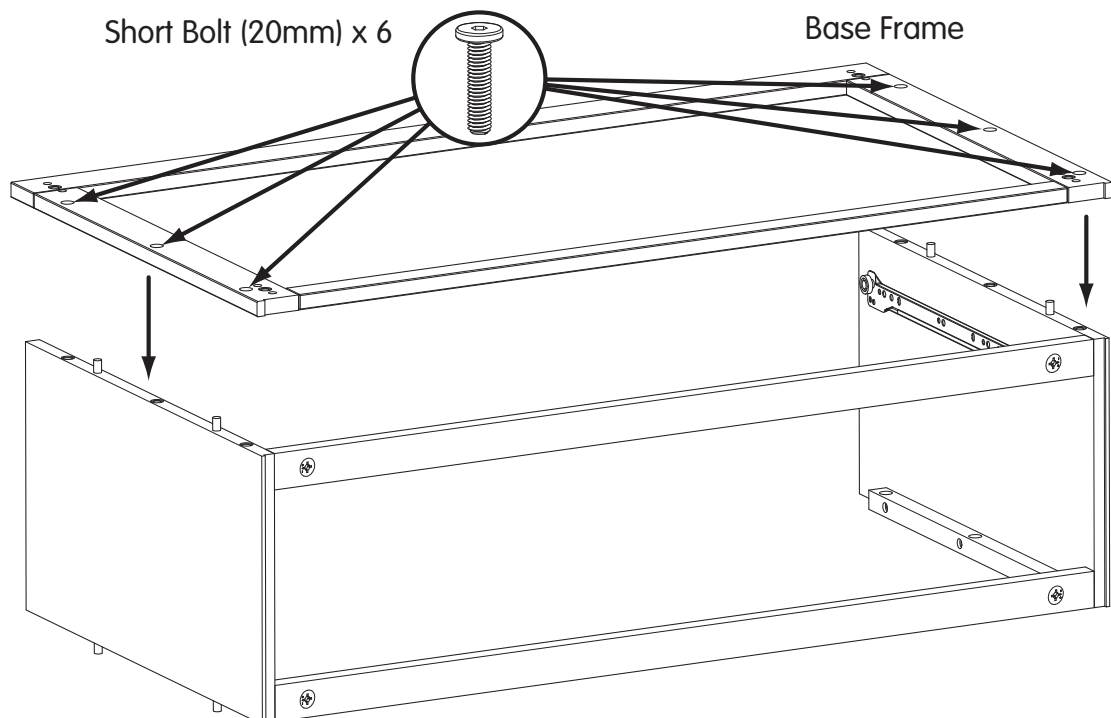
Drawer Assembly 4. Fitting the Handles.



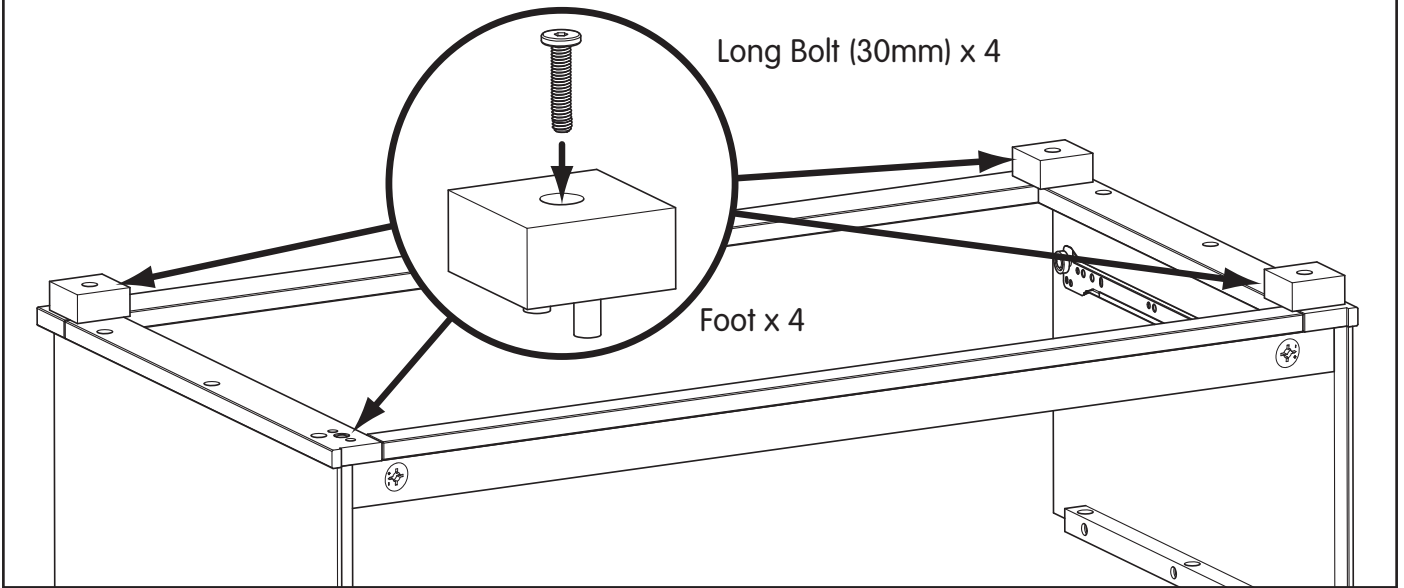
Wardrobe Assembly 1. Assembling the Lower Frame.



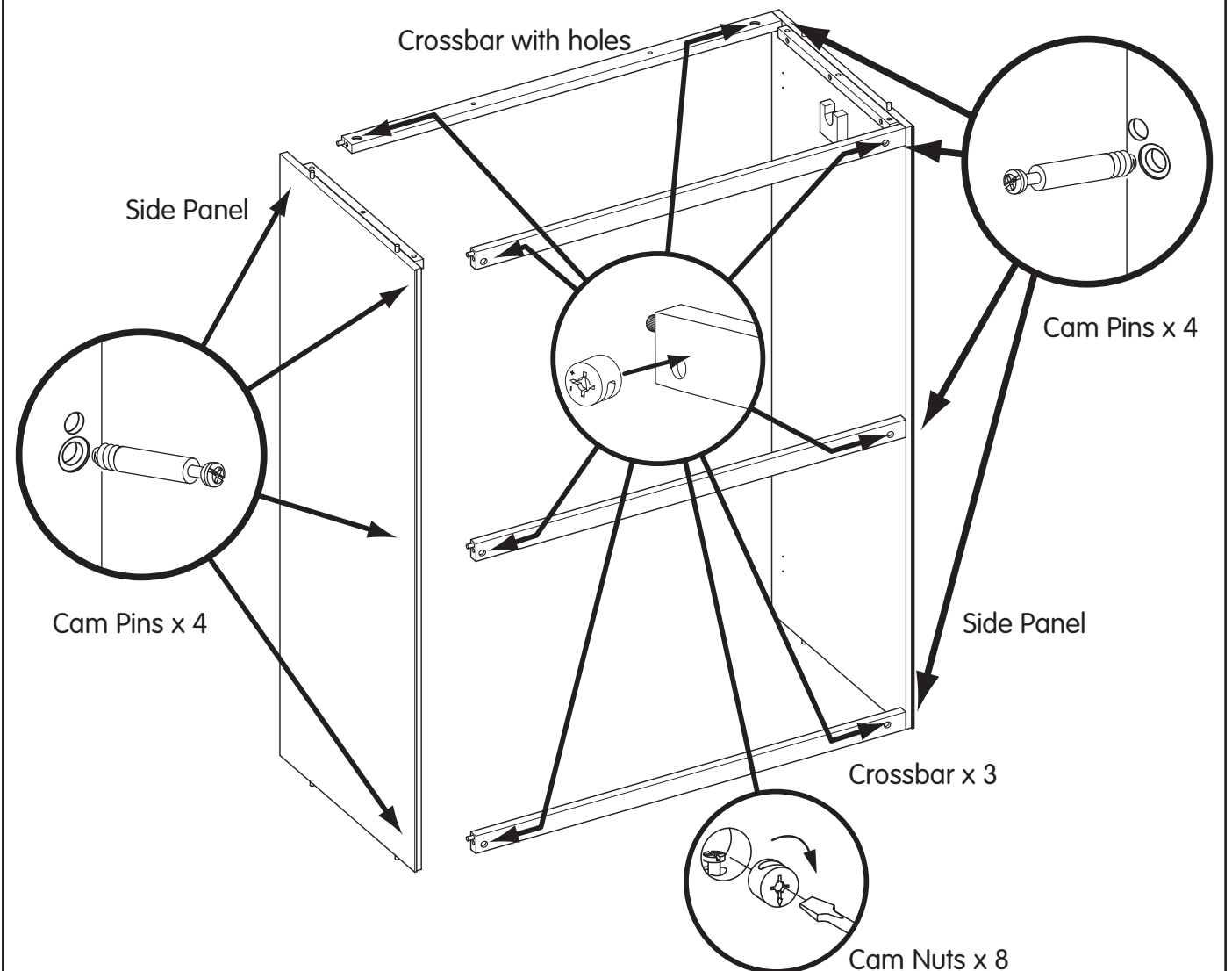
Wardrobe Assembly 2. Attaching the Lower Base Frame.



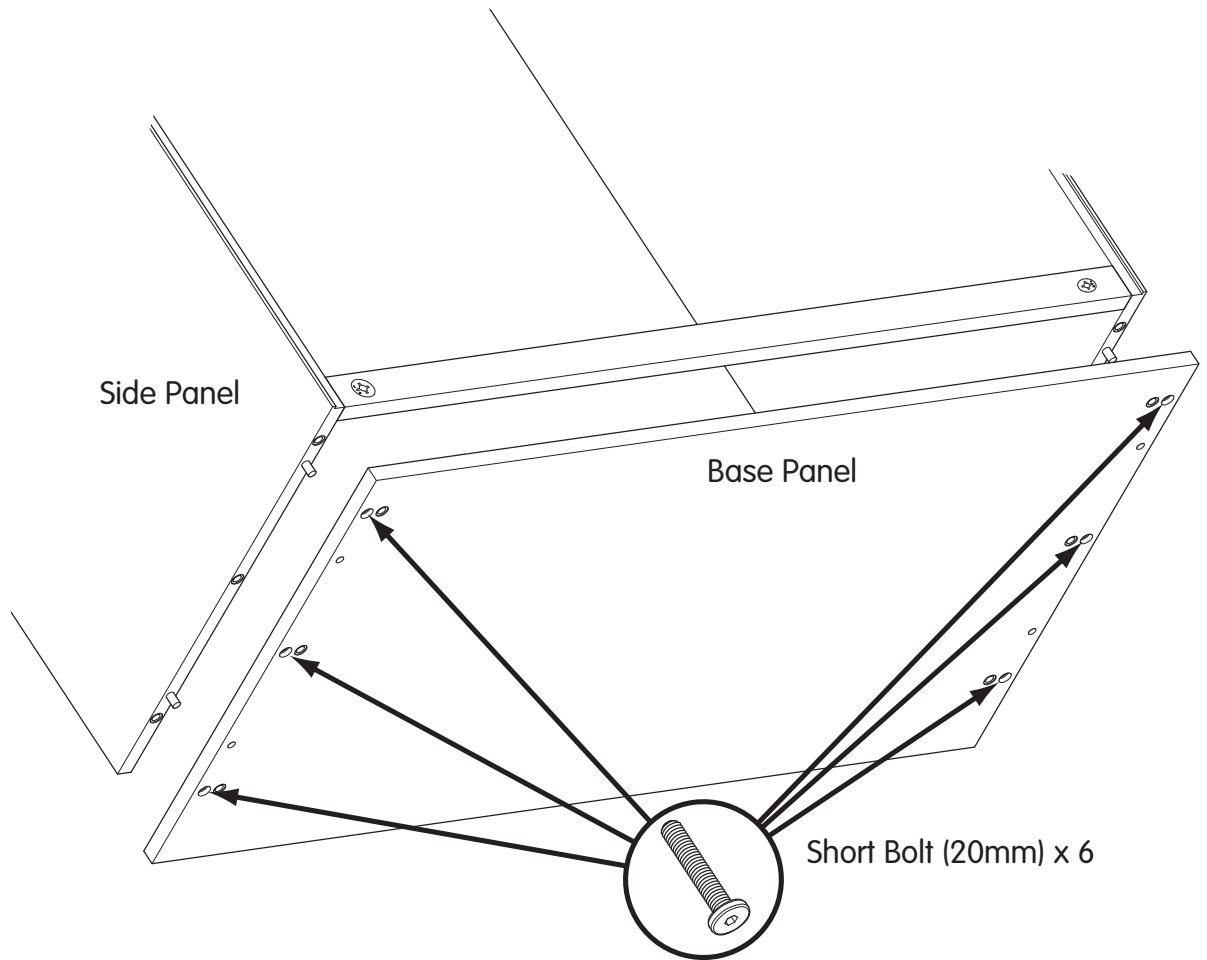
Wardrobe Assembly 3. Attaching the Feet.



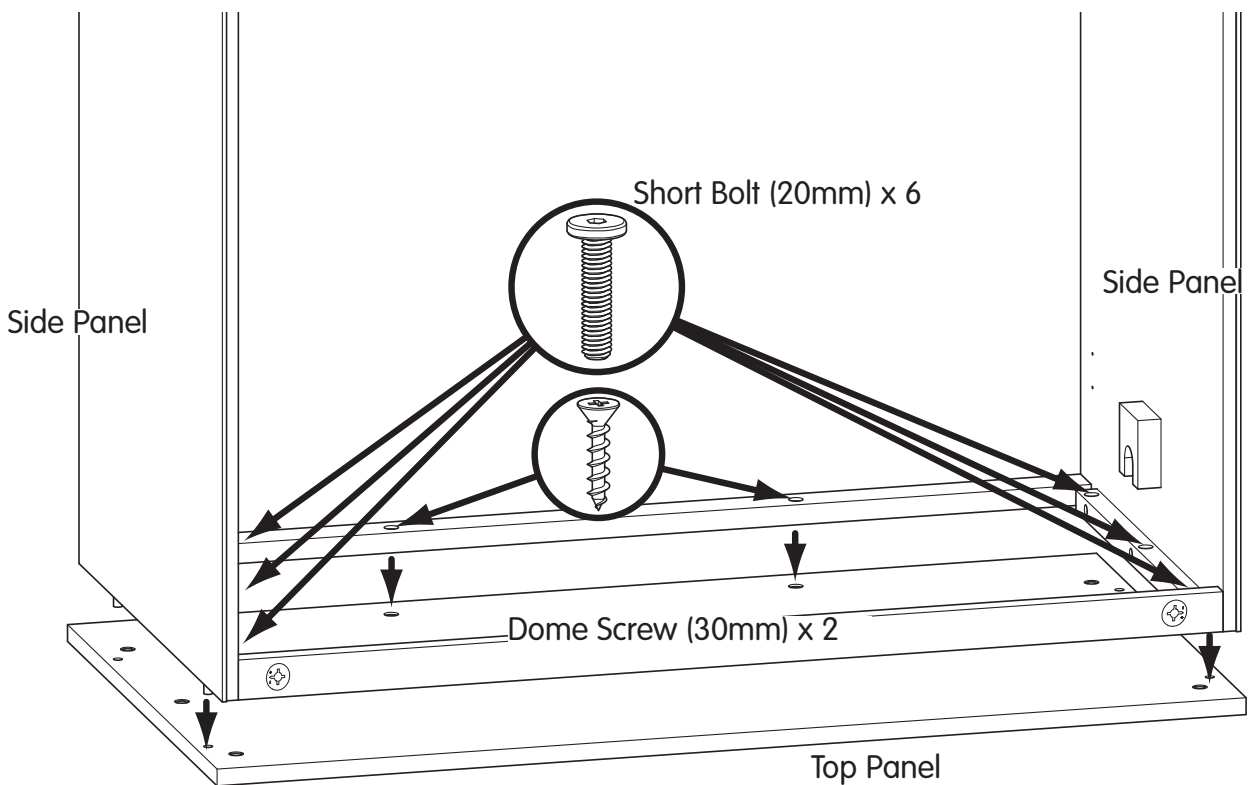
Wardrobe Assembly 4. Fitting the Cam Nuts & Pins.



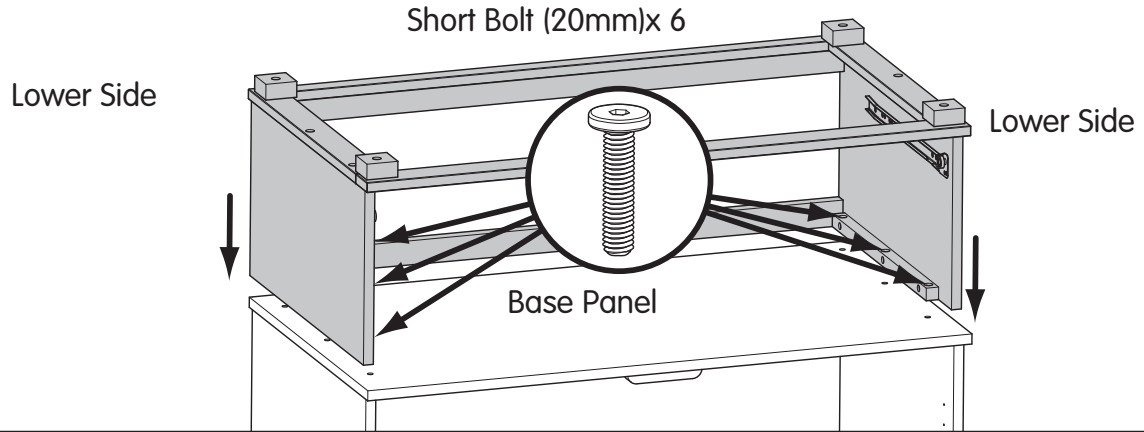
Wardrobe Assembly 5. Attaching the Base Panel.



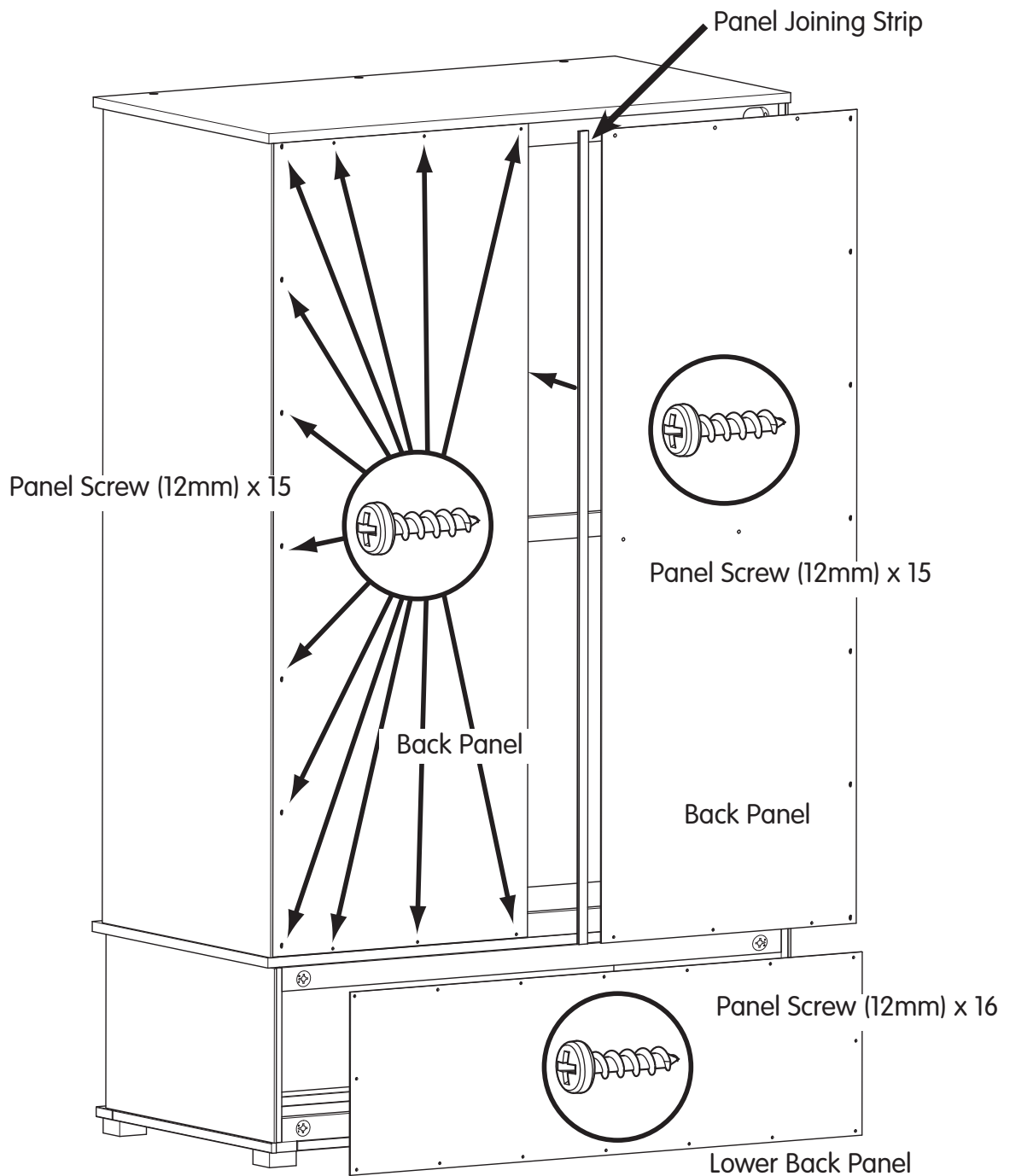
Wardrobe Assembly 6. Attaching the Top Panel.



Wardrobe Assembly 7. Attaching the Lower Frame.

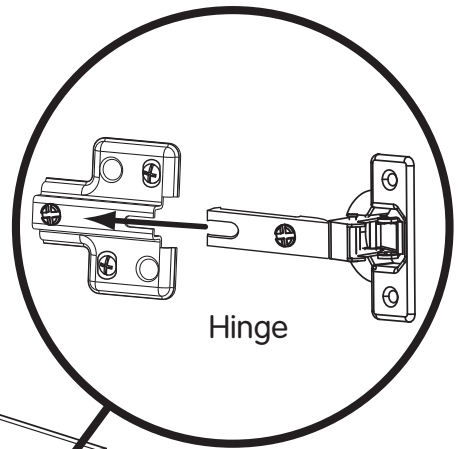
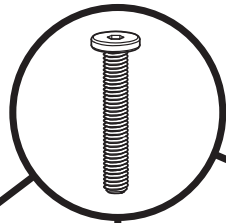


Wardrobe Assembly 8. Fitting the Back Panels.



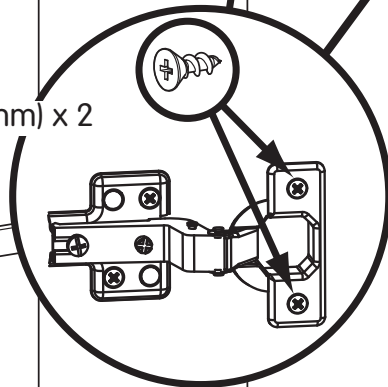
Wardrobe Assembly 9. Fitting the Doors and Top Trim.

Long Bolt (30mm) x 3



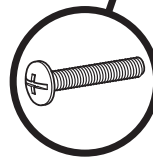
Hinge

Hinge Screw (12mm) x 2

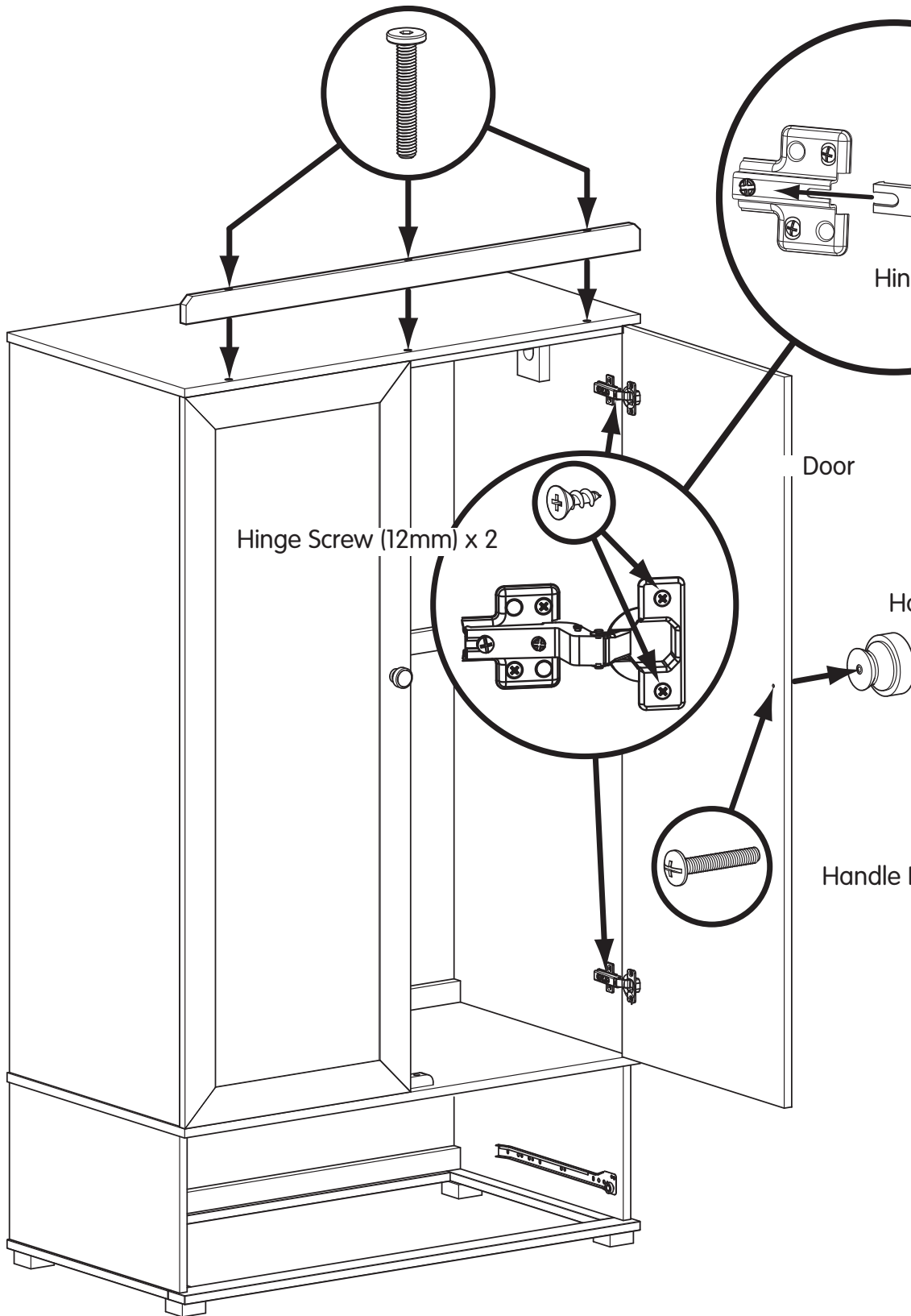


Door

Handle

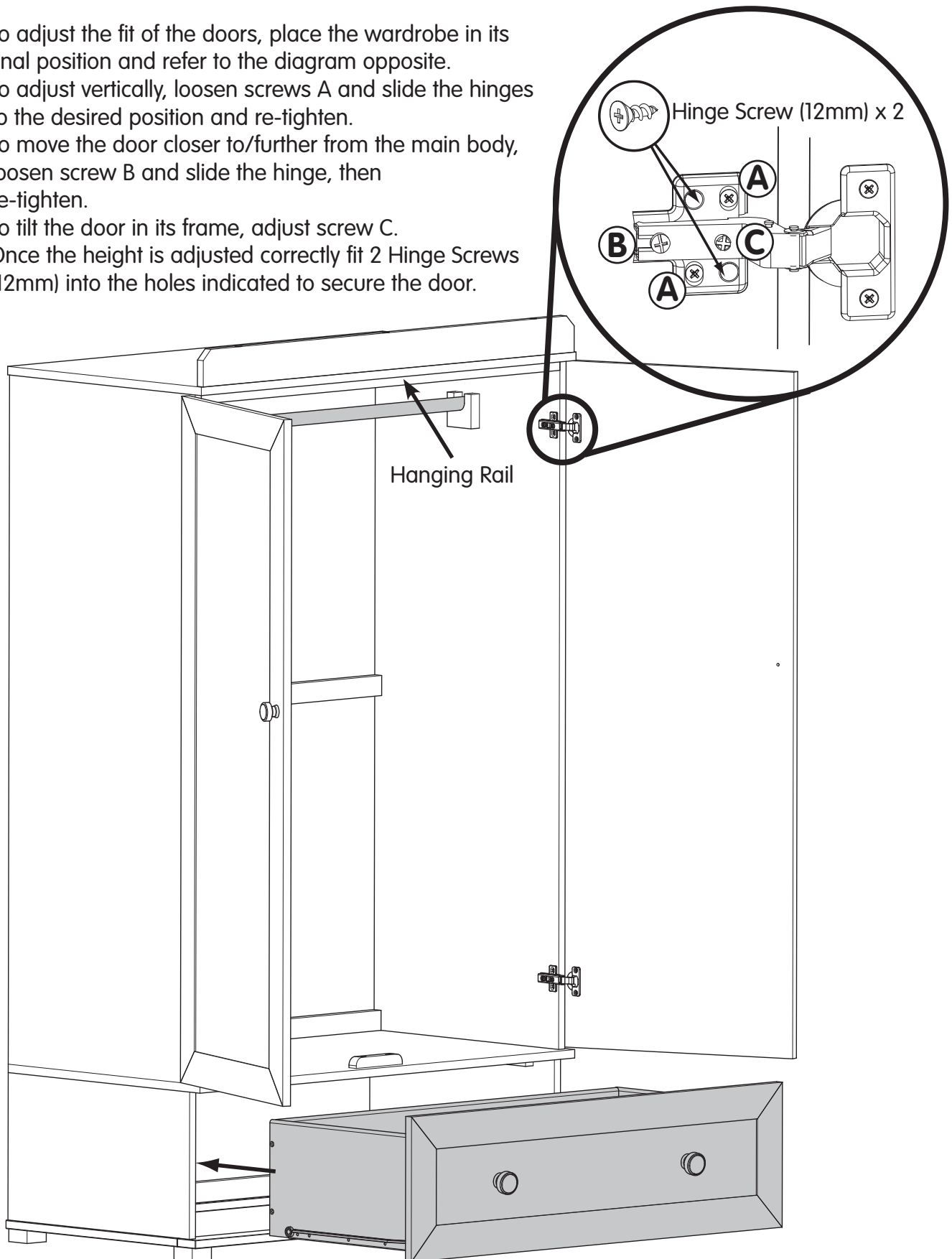


Handle Bolt



Wardrobe Assembly 10. Adjusting the Doors and fitting the Drawer.

To adjust the fit of the doors, place the wardrobe in its final position and refer to the diagram opposite.
To adjust vertically, loosen screws A and slide the hinges to the desired position and re-tighten.
To move the door closer to/further from the main body, loosen screw B and slide the hinge, then re-tighten.
To tilt the door in its frame, adjust screw C.
Once the height is adjusted correctly fit 2 Hinge Screws (12mm) into the holes indicated to secure the door.



To fit the drawer, tilt the front up slightly and locate the wheel on the back of the drawer runner behind the wheel on the front of the wardrobe runner. Lower the front of the drawer and gently slide it into position. The drawer will now operate freely.

CARE AND MAINTENANCE

Your furniture can be cleaned by wiping occasionally with a damp cloth, or polished with a household polish.

Do not use abrasives, bleach, alcohol or ammonia-based household polishes.

Take care when handling or moving the furniture. Careless handling may cause damage.

Regularly check that all fixings are tightened and that there are no broken or damaged parts.

IN USE

Your children's safety is your responsibility.

All assembly fixings should always be tightened properly. Care should be taken that no screws are loose because a child could trap parts of their body, or clothing (e.g. strings, necklaces, ribbons, dummies, etc.) which could pose a risk of strangulation.

Be aware of the risks of open fires and other such sources of strong heat, such as electric bar fires, gas fires, etc. in the near vicinity of the furniture.

Ensure your furniture is placed on a level and stable surface and away from radiators and direct sunlight.

Any additional or replacement parts can only be obtained from the manufacturer or the distributor.

Customer Care Hotline For this Product 01692 408802

e a s t c o a s t

East Coast Nursery Ltd. Robertson House, North Walsham, Norfolk,
NR28 0BX